

Warnings: Page 2

Hood Installation: Page 3

Large Cabinet Filter Rack: Pages 3-4

Small Cabinet Filter Rack: Pages 5

BE EXTREMELY CAUTIOUS WHEN SCREWING AND INSTALLING PARTS NEAR THE COIL. FAILURE TO DO SO MAY RESULT IN DAMAGE TO THE COIL

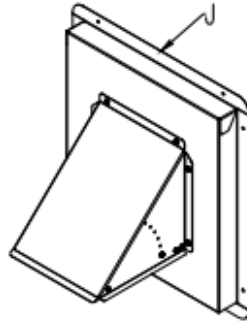


WEAR SAFETY GLASSES AND GLOVES WHEN INSTALLING



HOOD INSTALLATION

1. Remove the Horizontal Return Air Panel
2. Screw on the OA Hood (J)



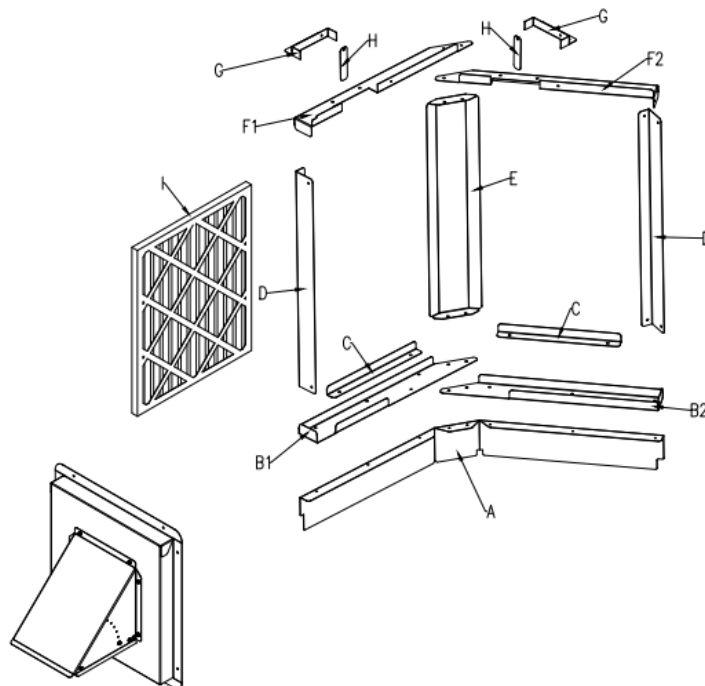
LARGE CABINET FILTER RACK - COMPONENTS

FILTER RACK COMPONENTS:

- (1) A – FILTER RACK STAND
- (1) B1– BOTTOM LEFT FILTER RACK
- (1) B2– BOTTOM RIGHT FILTER RACK
- (2) C – 1 INCH FILTER ANGLE
- (2) D – FILTER RACK SIDE
- (1) E – FILTER RACK CENTER
- (1) F1– TOP LEFT FILTER RACK
- (1) F2– TOP RIGHT FILTER RACK
- (2) G – LATCH BRACKET
- (2) H – FILTER LATCH
- (2) I – 20"x16"x1" NOMINAL FILTER
- (24)– #8x $\frac{1}{2}$ " TEK SCREWS

OA HOOD COMPONENTS:

- (1) J – OA HOOD
- (24)– #8x $\frac{1}{2}$ " TEK SCREWS
- (2) – 8-32 $\frac{1}{2}$ " Bolts



LARGE CABINET FILTER RACK - INSTALLATION

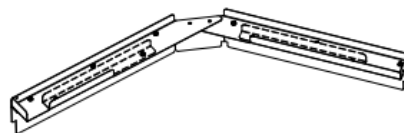
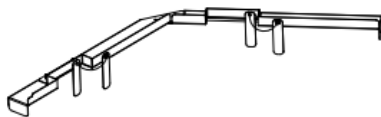
1. Remove the Return Air/Condenser Panel from the Unit
2. Insert the Assembled Filter Rack Part (A + B1 + B2) into the bottom of the unit.
 - a. For it to fit correctly, ensure that the left side stays in front of the pan wall and the right side goes behind the pan wall.
3. Overlap the Top Filter Racks (F1 + F2). The Left Filter Rack should be on top. Align the two holes with the Filter Rack Center (E). Screw together.
4. Attach the Filter Rack Sides (D) onto the inside of the assembled Top Filter Rack Part (F1 + E+F2)
 - a. Left Side – Screw through Back Flange
 - b. Right Side – Screw through Side Flange
5. Insert Assembled Part into Unit. Filter Rack Sides (D) should be lined up on the inside of the Bottom Filter Rack Assembly (A + B1 + B2)
 - * Be cautious of the coil when inserting the assembled part into the unit *
6. Screw the Filter Rack Center (E) to the Bottom Filter Rack Assembly (A + B1 + B2)
7. Screw the Filter Rack Sides (D) to the Bottom Filter Rack Assembly (A + B1 + B2)
 - a. Left Side – Screw through Back Flange
 - b. Right Side – Screw through Side Flange
8. Insert Filters (I) and secure them using the Filter Latches (H)
9. Re-Install the Return Air/Condenser Panel

2 INCH FILTER MODIFICATION:

IF USING 2 INCH FILTERS—

PARTS F1 & F2 MOVE (H) FILTER LATCH TO 2ND SET OF HOLES.

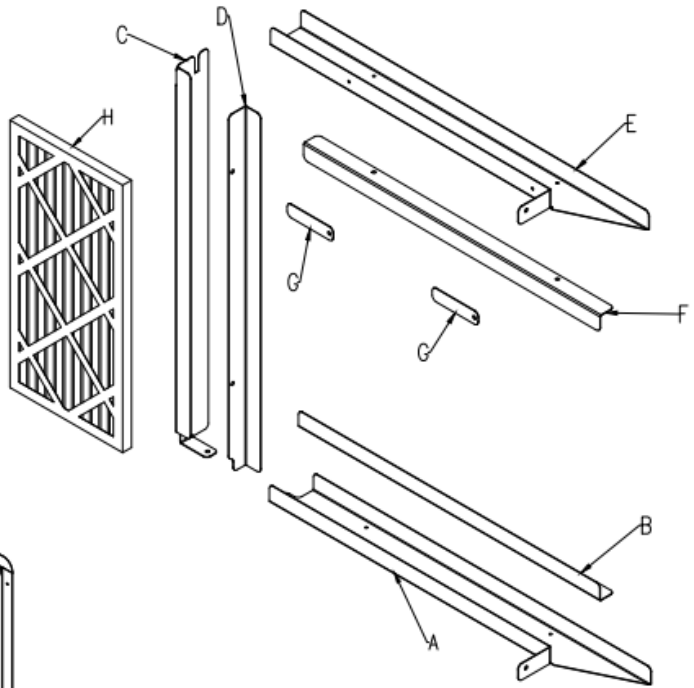
PARTS B1 & B2 REMOVE (C) 1 INCH FILTER ANGLES.



SMALL CABINET FILTER RACK - COMPONENTS

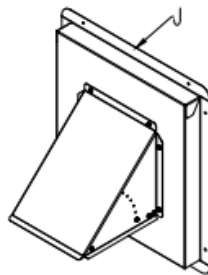
FILTER RACK COMPONENTS:

- (1) A - BOTTOM FILTER RACK
- (1) B - BOTTOM 1 INCH FILTER ANGLE
- (2) C - SIDE FILTER RACK
- (2) D - SIDE 1 INCH FILTER ANGLE
- (1) E - TOP FILTER RACK
- (1) F - TOP 1 INCH FILTER ANGLE
- (2) G - FILTER LATCH
- (2) H - 10"x20"x1" NOMINAL FILTER
- (11) - #8x $\frac{1}{2}$ " TEK SCREWS



OA HOOD COMPONENTS:

- (1) J - OA HOOD
- (24) - #8x $\frac{1}{2}$ " TEK SCREWS
- (2) - 8-32 $\frac{1}{2}$ " Bolts



SMALL CABINET FILTER RACK - INSTALLATION

1. Detach Return Air/Condenser Panel
2. Install Top Filter Rack (E)
3. Install Bottom and Side Filter Rack (A, B + C, D)
4. Install Filters (H) and secure them using the Filter Latches (G)

2 INCH FILTER MODIFICATION:

IF USING 2 INCH FILTERS-
 PART A REMOVE B 1 INCH FILTER ANGLE.
 PART C REMOVE D 1 INCH FILTER ANGLE.
 PART E REMOVE F 1 INCH FILTER ANGLE.
 ROTATE BOTH G FILTER LATCHES DOWN INTO POSITION.

